

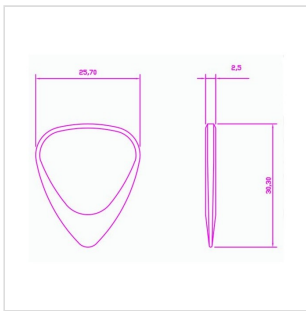
Timbertones

TIMT-ALW-4

ALMOND WOOD PICKS - PACK OF 4



Almond Wood has beautiful golden and brown shimmery patterns running through it. They are CNC Milled from the very best quality timber then hand sanded and hand polished to give them their amazing shine and smoothness. Timber Tones unique shape is roughly based upon the classic 351 design, however they are 2.4mm thick where you hold them, chamfering down to 0.7mm at the playing tip. Almond Wood is a medium soft timber which will add a good level of warmth to the tone of most Acoustic Guitars.



KEY FEATURES

Material

Almond Wood

Soft timber

For Acoustic Guitar