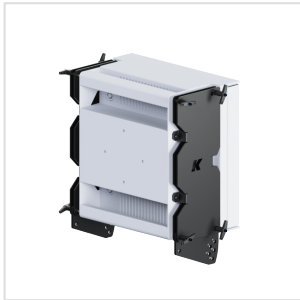


K-JOINTKX12

HARDWARE CONNECTION KIT WITH PINS, BLACK

To join KX12 I and KX12F I.



K-JOINTKX12

HARDWARE CONNECTION KIT WITH PINS, BLACK

PRODUCT DETAILS

SPECIFICATIONS

Material	Stainless Steel
Finish	Black