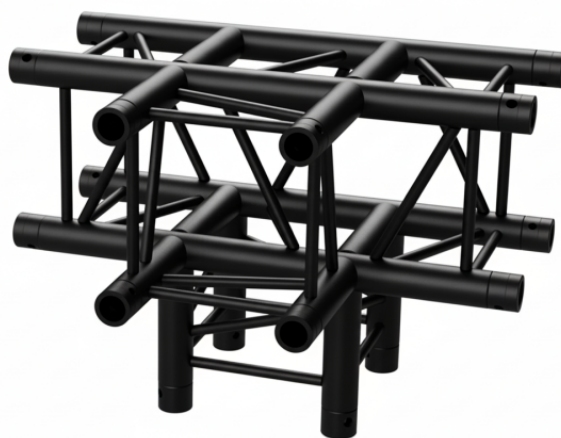


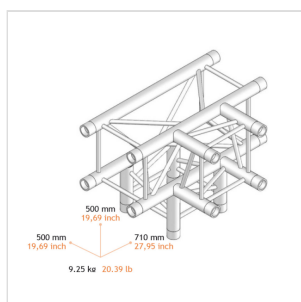
FP29Q C490B

4-WAYS 90° "T" JUNCTION CORNER WITH 29 CM SIDE FOR SQUARE TRUSS BLACK (29CTBPB)

Aluminium square truss structure section of 29 cm on each side. To form T connections. 4 way. Manufactured with main tube of 50 mm diameter and 2 mm thick, and auxiliary tube of 16 mm diameter and 2 mm thick. Silver or black colour. P SERIES compatible.



SAMPLE PHOTO



FP29Q C490B

4-WAYS 90° "T" JUNCTION CORNER WITH 29 CM SIDE FOR SQUARE TRUSS BLACK (29CTBPB)

PRODUCT DETAILS

KEY FEATURES

Available in silver and black color.

Other colors available upon request.

Compatible with EC 29 P truss.

Connections included.

SPECIFICATIONS

Main Tube Section	50 x 2 mm
Main Tube Alloy	EN AW 6082T6
Braces Section	16 x 2 mm
Braces Alloy	EN AW 6082T6
Surface Area Complete Truss	12,06 cm ² / 1,8693 in ²
Coupling System	CBC50P
N° ways	4
Dimensions (H x W x D)	500 x 710 x 500 mm / 19,69 x 27,95 x 19,69 in
Weight	10,8 kg / 23,81 lbs
Material	Aluminum
Color	Black