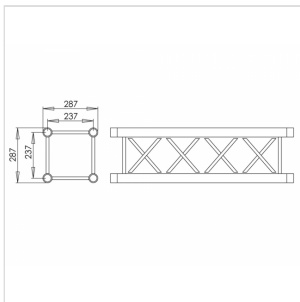
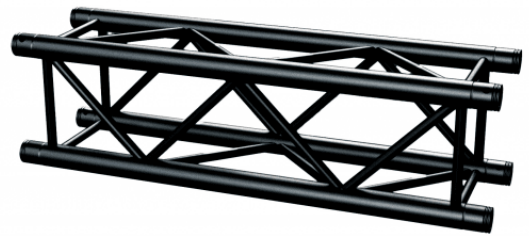


FP29Q R100B

**29 CM SQUARED TRUSS OF 1M. P SERIES. BLACK**

29 cm square aluminium truss structure section, made of 50 mm diameter and 2 mm thick main tube, and 16 mm diameter and 2 mm thick auxiliary tube. It is 1 m lengths, in black.

Includes 4 double cones, 4 pins, 4 threaded pins and 4 'R' safety clips. P SERIES



FP29Q R100B

# 29 CM SQUARED TRUSS OF 1M. P SERIES. BLACK

## PRODUCT DETAILS

### KEY FEATURES

Standard size 0.5 / 1 / 2 / 3 m.

Other sizes available on request.

Available in silver or black.

Other colours available on request.

### SPECIFICATIONS

<b>Main tube cross-section</b>	50 x 2 mm
<b>Main Tube</b>	Alloy EN AW 6082T6
<b>Diagonal Tube Section</b>	16 x 2 mm
<b>Alloy diagonal</b>	EN AW 6082T6
<b>Weight</b>	5,7 kg/m
<b>Section Area</b>	12,06 cm <sup>2</sup>
<b>Connection System</b>	CBC50P
<b>Truss weight 1 m</b>	7 kg
<b>Volumen truss 1 m</b>	0,0841 m <sup>3</sup>
<b>Color</b>	Black